



# INSTANT

*Smart lift*<sup>®</sup>

Product range overview

## PRODUCTS

- Smartlift SL280
- Smartlift SL380
- Smartlift SL380 *Outdoor*
- Smartlift SL380 *Outdoor High Lifter*
- Smartlift SL580
- Smartlift SL608 *Outdoor*
- Smartlift SL780 *Outdoor Giant*

## Smartlift SL280



Weight	470 kg
Height	1320 mm
Width (min)	620 mm
Length (min)	1400 mm
Extension of arm	500 mm
Battery (2 x 12V) 24 volt	2 x 60 A
Propelling engine	500 Watt
Suction pads	4 x Ø300 mm
Lifting capacity	280 kg



Smartlift SL280 is the original and most tested window lift in the market. The users have expressed great content with the Smartlift SL280 which is handy and can work in places with limited space.

## Smartlift SL380



Weight	570 kg
Height	1350 mm
Width (min)	650 mm
Length (min)	2100 mm
Extension of arm	500 mm
Battery (2 x 12V) 24 volt	2 x 60 A
Propelling engine	500 Watt
Suction pads	4 x Ø300 mm
Lifting capacity	380 kg



Smartlift SL380 can lift weights up to 380 kg despite its compact design. SL380 is based on the same thoroughly tested principles as SL280 and SL580.

## Smartlift SL380 Outdoor



Weight	620 kg
Height	1390 mm
Width (min)	800 mm
Length (min)	1650 mm
Extension of arm	600 mm
Battery (2 x 12V) 24 volt	2 x 105 A
Front wheel drive (AC)	1000 Watt
Suction pads	4 x Ø300 mm
Lifting capacity arm in / extended (600mm)	380/200 kg

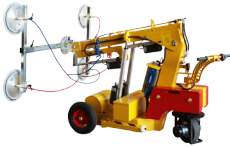


Smartlift SL380 Outdoor is a novelty for outdoor and indoor use. Because of its big wheels and wide tires this front-wheel driven machine can be exceptionally manoeuvrable and useful. The lift is waterproof according to ip65 rating.

## Smartlift SL580



Weight	697 kg
Height	1420 mm
Width (min)	780 mm
Length (min)	1700 mm
Extension of arm	500 mm
Battery (2 x 12 V) 24 volt	2 x 90 A
Propelling engine	1000 Watt
Suction pads	4 x Ø400 mm
Lifting capacity	580 kg



Smartlift SL580 is the professional partner for working with items up to 580 kg. Quick, efficient and reliable Smartlift SL580 is an ideal tool for heavy lifting.

## Smartlift SL608 Outdoor / SL780 Outdoor Giant



SL608 Outdoor



SL780 Outdoor Giant

Weight	830 kg	1300 kg
Height	1530 mm	1500 mm
Width (min)	830 mm	1010 mm
Length (min)	2340 mm	2850 mm
Extension of arm	700 mm	2 x 830 mm
Batteries (4 x 12 V) 24 volt	2 x 105 A	4 x 105 A
Front-wheel drive	1200 Watt(AC)	2000 Watt(AC)
Suction pads	4 x 400 mm	4x400 mm & 2x300mm
Lifting capacity arm in / extended (600mm)	608 kg / 280 kg	850 kg / 270 kg

Smartlift SL608 Outdoor is the second most powerful in the Smartlift range with a lifting capacity up to 608 kg. It is self-driven, and, like other Smartlifts, offers stepless movements across the board.

Smartlift SL780 Outdoor Giant is a further development of the SmartLift 380 Outdoor, but the new model is bigger with stronger dimensions. Every movement is done by a remote radio controller with a range of almost 100 m.

## Smartlift SL380 Outdoor High Lifter



Weight	650 kg
Height	1390 mm
Width (min)	810 mm
Length (min)	1700 mm
Extension of arm	600 + 60 mm
Battery (2 x 12 V) 24 volt	2 x 105 A
Propelling engine	1000 Watt
Suction pads	4 x Ø300 mm
Lifting capacity arm in / extended (600mm)	380 / 100 kg



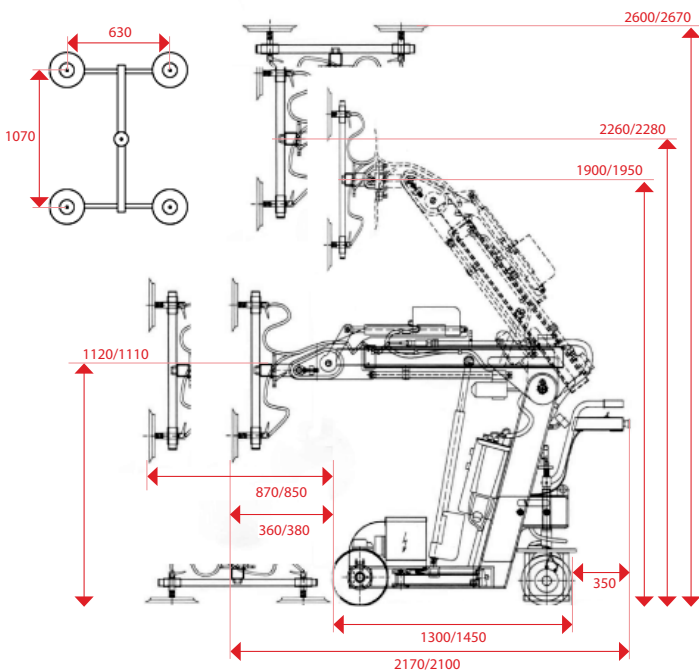
The Smartlift SL380 Outdoor High Lifter has an additional telescopic arm which allows the High Lifter to telescope manually 600 mm further out. In order to improve the stability of the High Lifter, the lift is provided with foam filled tires

# Smartlift

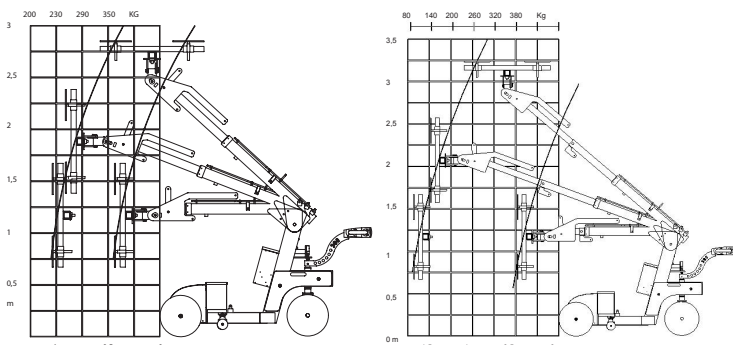
The Smartlift company has developed a series of intelligent lifts for use in any field of activity. Focusing on savings in working processes and especially on the working environment, Instant company is proud to represent 6 different types of Smartlift machines with a lifting capacity of up to 780 kg.

The following schemes show more detailed information about the Smartlifts so you can measure the products more efficiently. Smartlift products were developed by qualified and experienced engineers and most up-to-date technologies were applied to suit your needs.

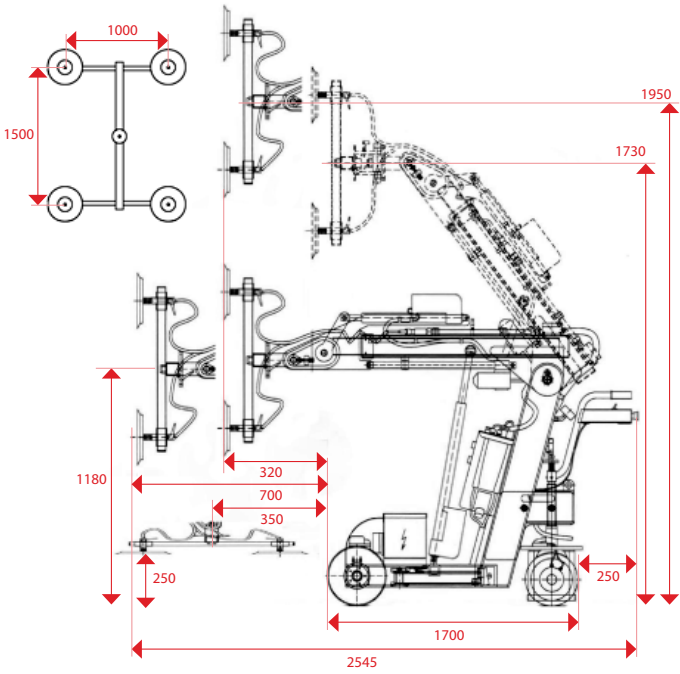
## Smartlifts SL280 / SL380



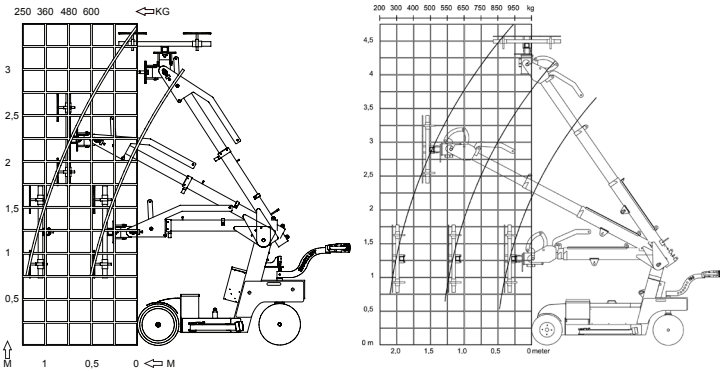
## Smartlift SL380 Outdoor



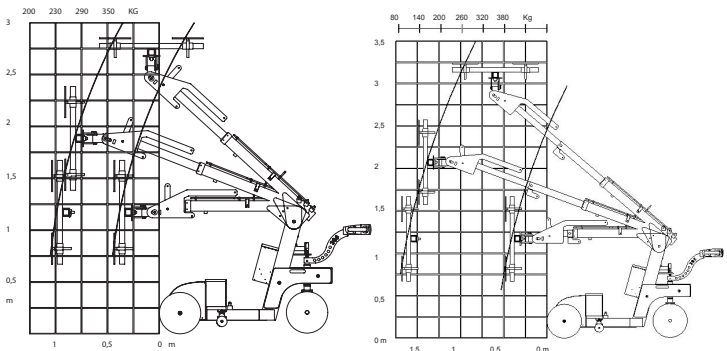
## Smartlift SL580



## Smartlift SL780 Outdoor Giant



## Smartlift SL380 Outdoor High Lifter



The logo for INSTANT features the word "INSTANT" in a bold, blue, sans-serif font. A red diagonal slash cuts through the letter "A". The logo is flanked by two horizontal red bars with a gradient effect, one above and one below the text.

*The Smartlift machines have been on the market for some years and have gained a footing as well in Denmark as in the rest of Europe. The users have expressed great content with the Smartlift brand, which is a reliable choice of a proven Danish quality.*

*The INSTANT brand has been known in the market for more than 30 years. The leading rental shops, large government agencies as well as a vast number of entrepreneurs and contractors are among our faithful and satisfied customers. Our main objective will always be to deliver quality products at reasonable prices, as we know that quality is essential for safe and secure operations.*

**Norway**

Tel.: +47 23 19 11 00  
info@instant.no

**Lithuania**

Tel.: +370 5 233 1096  
info@instant.lt

**Latvia**

Tel.: +371 263 58 152  
info@instantlatvija.lv

**Estonia**

Tel.: +372 680 76 33  
info@instant.ee

**[www.instant.no](http://www.instant.no)**